



Deckorators® Decking Installation Guides

Deck Step Installation

Deck Step Installation Instructions

Prior to construction, check with your local regulatory agency for special code requirements in your area.

For best results, follow these simple installation instructions, paying close attention to gapping, spacing and fastener requirements.

Note: Always follow best workmanship practices. Including, but not limited to, square cutting both board ends prior to installation.

Stringer Spacing

Stringer spacing is a maximum of 228.6 mm on-centre. Minimum of 5 stringers with 4 spans. For commercial applications, maximum of 203.2 mm on-centre.

Spacing

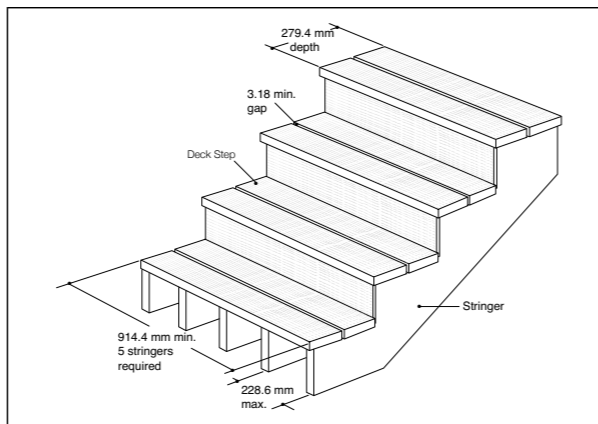
Allow a minimum of 3.18 mm between the board ends. Allow a 6.35 mm distance between all deck step material and any permanent structure or post.

Tools and Items Needed

- Drill/Cordless screwdriver
- 3 mm drill bit
- TGT saw blade
- 63.5 mm composite wood deck screws
- Pro Plug® Hidden Fastening system
- Circular saw
- Tape measure
- Safety glasses/goggles
- Carpenter's pencil

Notice to installers

- Use impact driver with care



Fasteners

Recommended fasteners are those which are recommended by the manufacturer of Deckorators® Deck Step. Compatible fasteners are those which have been tested and recommended for use with Deckorators® Deck Step by the fastener manufacturer. The use of a non-recommended fastener will not void the Deckorators® Decking Warranty; however, if a deck step failure is caused by the use of a non-recommended fastener, any corresponding warranty claim will be denied.

We recommend using 76.2 mm corrosion-resistant composite wood deck screws for ease of installation. These screws help minimise the common "mushroom" effect that sometimes occurs when using standard fasteners. They can also reduce the amount of pre-drilling and countersinking. If using ordinary coarse-thread deck screws, always pre-drill a pilot hole and countersink prior to driving screws.

Screws must be driven flush with the Deckorators® deck step surface. Do not over-tighten.

Use two fasteners per deck step at each stringer. For any deck step where two boards meet end-to-end, an additional stringer is required to support each end. Always pre-drill a pilot hole and countersink at board ends when using other composite or wood screws. Be careful not to over-tighten screws near board ends.

Preventing Mould and Mildew Growth

Mould and mildew can be a nuisance on any exterior building surface, regardless of the material. If the conditions are right, they will grow on wood, plastic, concrete, metal, and other surfaces. Mould formation is the most prevalent in consistently wet, shaded areas.

Spores from the natural environment are carried by the wind and commonly land on deck surfaces. It is important to note that the appearance of mould/mildew is a function of nature, not necessarily a deficiency with any of the material on which it grows.

Colour Variation

Like most composites, Deckorators® deck steps will have colour variations from piece to piece. This is due to naturally occurring variations in wood fibres and polymers. Purchasing all required deck step material at one time is recommended, as manufacturing runs can produce slightly different colours. Do not install if the colour variation is not acceptable.

Deck Step Installation Instructions (Continued)

Cleaning

Periodic washing with soap/mild detergent and water will help remove surface dirt. This will also help prevent the buildup of pollen, debris and spores that can cause and accelerate mould/mildew growth.

Caution: A pressure washer must not be used to "blast" mould/mildew or soils from a deck surface. The abrasive nature of the water stream can potentially cause damage by driving spores deeper into the material, which may create a more challenging problem to remedy. A pressure washer with a fan-tipped nozzle must only be used to lightly wet or rinse wood or composite deck surfaces.

There are many deck wash and exterior cleaning products available at retail. Only use cleaners intended for your application. Instructions provided by the manufacturer must be followed. Some cleaning products and inhibitors may be more effective than others, depending on the environmental conditions your deck is subjected to. Additionally, it is always a good idea to test the cleaner in a small, inconspicuous area prior to applying it to the entire deck.

Mould Inhibitors

As with deck washes, there are several mould-inhibitor products available from paint stores, hardware stores, online outlets and home centres to prevent long-term mould/mildew growth. For any product selected, be certain to read, understand, and follow all instructions provided by the manufacturer.

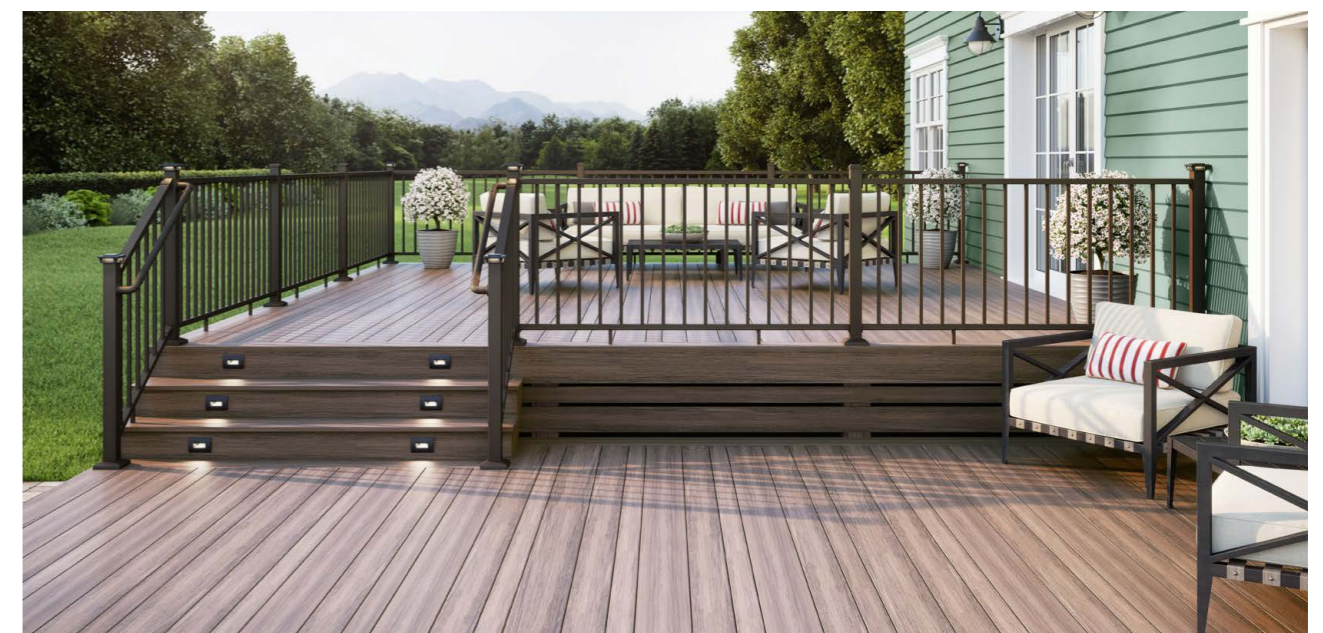
Depending upon the environmental factors affecting your deck, some preventative cleaning products may be more effective than others. It may be necessary to try more than one product. For ongoing preventive maintenance, follow the manufacturer's recommendation.


Important Notices

The diagrams and instructions in this brochure are for illustration purposes only and are not meant to replace a licensed professional. Any construction or use of the product must be in accordance with all local zoning and/or building codes. The consumer assumes all risks and liability associated with the construction or use of this product.

The consumer or contractor should take all necessary steps to ensure the safety of everyone involved in the project, including, but not limited to, wearing the appropriate safety equipment. Except as contained in the written limited warranty, the warrantor does not provide any other warranty, either express or implied, and shall not be liable for any damages, including consequential damages.

Deckorators® is not suitable for structural use. It must not be used for primary load-bearing members such as posts, joists, beams, or stringers. The same common-sense precautions should be taken when handling Deckorators® as with wood or other building materials. Dust masks and eye protection devices are recommended to avoid possible irritation from sawdust and chips. Gloves will help protect hands. Hands should be washed after construction work.





Stunning style backed up by a comprehensive warranty. Guaranteed.

Call STORM today on 01278 455326 for more information