



Deckorators® Decking Installation Guides

Fascia Installation

Important notices

The diagrams and instructions in this brochure are for illustration purposes only and are not meant to replace a licensed professional. Any construction or use of the product must be in accordance with all local zoning and/or building codes. The consumer assumes all risks and liability associated with the construction or use of this product.

The consumer or contractor should take all necessary steps to ensure the safety of everyone involved in the project, including, but not limited to, wearing the appropriate safety equipment. Except as contained in the written limited warranty, the warrantor does not provide any other warranty, either express or implied, and shall not be liable for any damages, including consequential damages.

Deckorators® is not suitable for structural use. It must not be used for primary load-bearing members such as posts, joists, beams, or stringers. The same common-sense precautions should be taken when handling Deckorators® as with wood or other building materials. Dust masks and eye protection devices are recommended to avoid possible irritation from sawdust and chips. Gloves will help protect hands. Hands should be washed after construction work.

Contact our team on 01278 455326 or email sales@stormbuildingproducts.com to receive more information or advice.

Fascia Installation Instructions

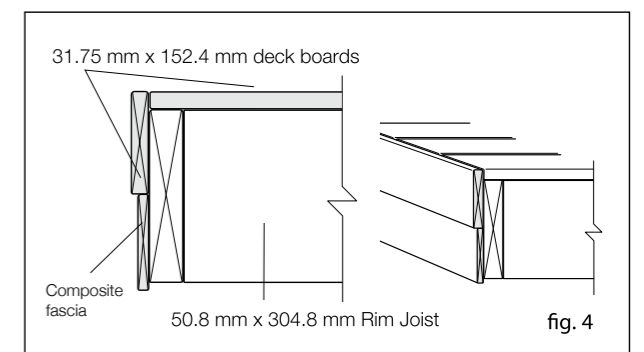
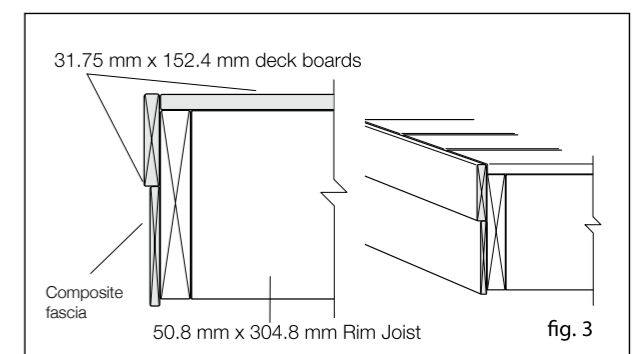
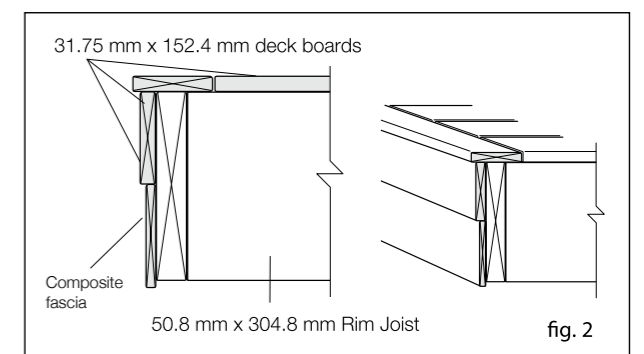
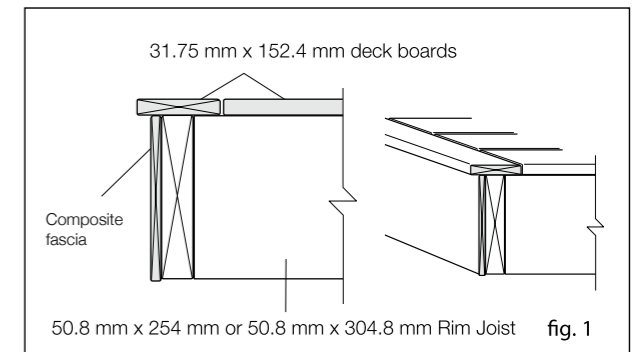
Notice to installers

- Use impact driver with care


Attach fascia to the rim joist using 3 screws spaced no further apart than 450 mm. Fasten the fascia from one end to the other, or from the centre out to each end. Never fasten the fascia from both ends to the centre. Leave a 3 mm space between the fascia ends where two pieces meet or wherever a piece meets a solid surface (i.e. a corner or a building wall) to allow for expansion of the material. Use one of the recommended installation configurations below for the best results. Do not install fascia board flush with decking that runs perpendicular (see figures 1-4 for possible configurations to conceal 50.8 mm x 254 mm and 50.8 mm x 304.8 mm joists).

Tools and Items Needed

- Drill/Cordless screwdriver
- TCT saw blade
- Colour-matched fascia screws
- Tape measure
- Carpenter's pencil
- Safety glasses/goggles



Note: Always follow best workmanship practices. Including, and not limited to, square-cutting both board ends prior to installation.



Stunning style backed up by a comprehensive warranty. Guaranteed.

Call STORM today on 01278 455326 for more information