



Deckorators® Decking Installation Guides

Grooved Edge Decking



Create show-stopping outdoor spaces with the Deckorators® composite decking collection.



Important notices

The diagrams and instructions in this brochure are for illustration purposes only and are not meant to replace a licensed professional. Any construction or use of the product must be in accordance with all local zoning and/or building codes. The consumer assumes all risks and liability associated with the construction or use of this product.

The consumer or contractor should take all necessary steps to ensure the safety of everyone involved in the project, including, but not limited to, wearing the appropriate safety equipment. Except as contained in the written limited warranty, the warrantor does not provide any other warranty, either express or implied, and shall not be liable for any damages, including consequential damages.

Deckorators® is not suitable for structural use. It must not be used for primary load-bearing members such as posts, joists, beams, or stringers. The same common-sense precautions should be taken when handling Deckorators® as with wood or other building materials. Dust masks and eye protection devices are recommended to avoid possible irritation from sawdust and chips. Gloves will help protect hands. Hands should be washed after construction work.

Contact our team on 01278 455326 or email sales@stormbuildingproducts.com to receive more information or advice.

Grooved Edge Decking Installation Instructions

Each Deckorators® Vista™, Voyage™, and Trailhead™ board has a unique appearance and should be arranged according to the end user's preference. For best results, follow these simple installation instructions, paying close attention to gapping, spacing and fastener requirements.

Notice to installers

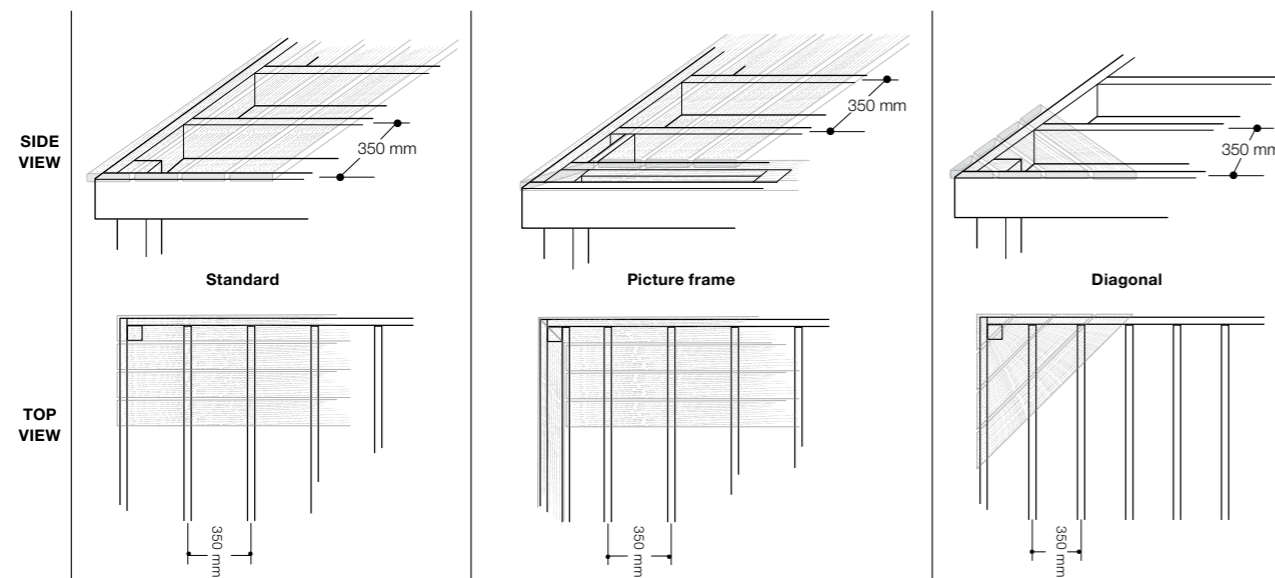
- Use impact driver with care

Tools and Items Needed

- Drill/Cordless screwdriver
- 3 mm drill bit
- TCT saw blade
- 63.5 mm composite wood deck screws
- Stowaway fasteners
- Pro Plug® Hidden Fastening system
- Circular saw
- Tape measure
- Safety glasses/goggles
- Carpenter's pencil

Joist Span

We recommend all fixing centres to be at a maximum of 350 mm.



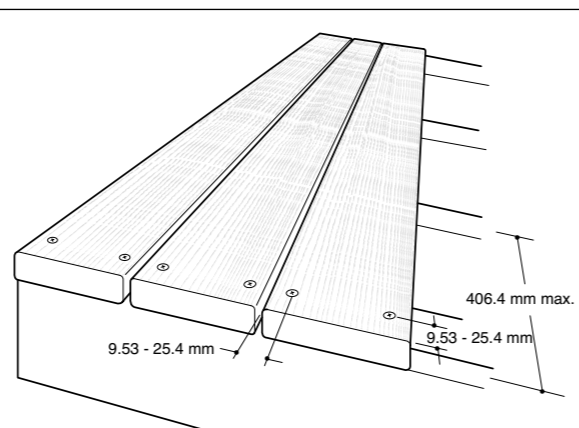
Installation

- Two fasteners per joist minimum.
- Ends of each board must fall on a joist.
- Double joist where two board ends meet.
- 25.4 mm maximum cantilever.
- Install the deck boards starting from the outside edge of the platform and work toward the anchor wall so that ripped pieces abut the wall. Start installing from one end of the board and work toward the other end of the board.

OR: Start installing from the centre of the board and work out toward the ends of the board. Do not install by fastening each end first and working toward the middle.

- Continue installing deck boards, adhering to the gapping requirements. Ensure consistent appearance by aligning each plank so that the cathedrals of the emboss pattern point in the same direction.

Note: Cutting all ends of boards prior to installation is recommended.



Face screw installation:

- Use reverse-threaded composite deck screws.
- Screws should be 9.53 - 25.4 mm from side of board and 9.53 - 25.4 mm from end of board.
- Use colour-matched screws for best results.
- Use caution not to overdrive the screw.

End-to-End Spacing

Follow the gapping requirements listed in fig. 1. For any decking where two boards meet end-to-end over a joist, add double joisting (fig. 2). Allow a 6.35 mm distance between all decking material and any permanent structure or post. Adequate ventilation is required at all times. Expansion gaps of 6 mm are recommended on all WPC products (Vista and Trailhead).

Note: ONLY Deckorators® Voyage™ decking material, manufactured with Evovations™ technology, may be installed with the ground or incidental submersion in water when a project design requires those conditions.

Board-End to Board-End Gapping Requirements (mm)

Temperature °C on day of installation	Warmest annual temperature °C expected in region											
	°C	-6.67	-4.44	-1.11	10	15.56	21.11	26.67	32.22	37.78	43.33	48.89
-6.67	3.18	3.18	3.18	3.18	3.18	3.18	4.76	4.76	6.35	6.35	7.94	7.94
-4.44		3.18	3.18	3.18	3.18	3.18	4.76	4.76	6.35	6.35	7.94	7.94
-1.11			3.18	3.18	3.18	3.18	4.76	4.76	6.35	6.35	7.94	7.94
10				3.18	3.18	3.18	4.76	4.76	6.35	6.35	7.94	7.94
15.56					3.18	3.18	4.76	4.76	6.35	6.35	7.94	7.94
21.11						3.18	4.76	4.76	6.35	6.35	7.94	7.94
26.67							3.18	4.76	6.35	6.35	7.94	7.94
32.22								3.18	4.76	6.35	6.35	7.94
37.78									3.18	4.76	6.35	6.35
43.33										3.18	4.76	6.35
48.89											3.18	4.76

Note: Always follow best workmanship practices. Including, but not limited to, square cutting both board ends prior to installation recommended.

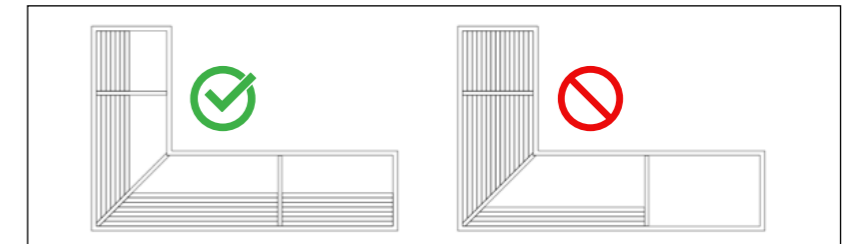
fig. 1

Cutting

- Use TCT saw blade

For Wood Plastic Composite Decking:

- Use fine tooth carbide trim blade to cut.
- Use a sharp utility knife or jigsaw to finish cuts where a circular saw cannot fully complete the cut. (Marking on the back side of the cut when needed.)
- Use a jigsaw to cut openings for protrusions.
- If necessary, use a large file or medium-grit sandpaper to clean cut edges.



To keep gaps lined up, you must build all sections of a split deck at the same time. This will allow you to adjust for natural variations in board width as you go. Snap 1 line to start the decking, then reference with a measurement every 2 or 3 rows off that original line.

(In the rare event that a strand or fibre protrudes from the board, do not pull it.) If you are using a painted blade, you can remove the paint residue with medium grit sandpaper.

Fasteners

For ease of installation, our Stowaway fastener fits into the groove on each side of the deck board to eliminate pre-drilling and provide a fastener-free deck surface. The deck boards require traditional fasteners on the outside and inside edges of the deck.

Step 1 Begin by fastening the outside edge of the first board to the rim joist every 350 mm. For this, we recommend using Pro Plug screws with Pro Plugs. These screws help minimise the common "mushroom" effect that sometimes occurs when using standard fasteners. Screws must be driven using the Pro Plug Hidden Fastener tool to ensure the screws will be driven to the pre-set level below the deck surface.

Note: If using ordinary coarse-thread deck screws, always pre-drill a pilot hole and countersink prior to driving screws. Screws must be driven flush with the surface. Do not over-tighten. Use one fastener per board every 350 mm.

Step 2 Use two fasteners per deck board at each joist. For any decking where two boards meet end-to-end over a joist, double joisting must be used for proper board end support (fig. 2). Always pre-drill a pilot hole when fastening within 25 mm of board ends, whether using composite or wood screws. Do not over-tighten screws at board ends.

Step 3 On the other side of the board, place a Stowaway hidden fastener into the groove and centre on the joist (fig. 3). Install the pre-set screw at a 90° angle through the Stowaway fastener and drive flush. Do not over-tighten. The fastener wings must remain level with the joist for the next board to fit correctly (fig. 4).

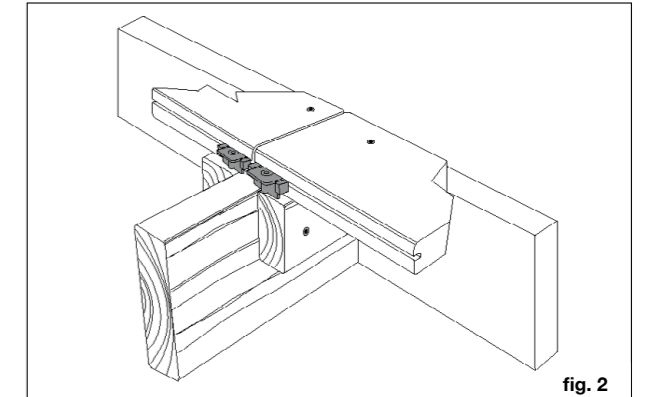


fig. 2

Fasten the outside edge of the first board to the rim joist with screws. Pre-drill and countersink all deck screws, regardless of type, that are within 24.4 - 12.7 mm of the end of the deck board. On the other side of the board, place a Stowaway hidden fastener into the slot and centre on the joist.

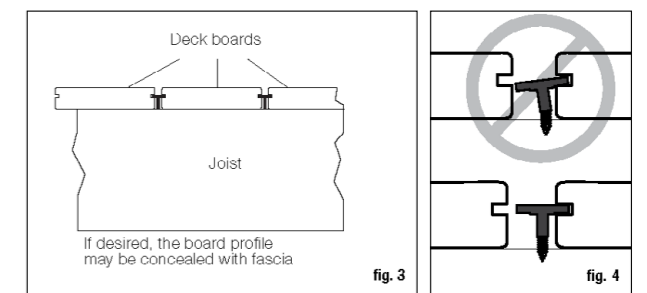


fig. 3

fig. 4

Grooved decking installation instructions continued on the next page

Grooved Edge Decking Installation Instructions (Continued)

Fasteners (Continued)

Step 4 Install one Stowaway fastener at each joist location. Slide the next board into place so the wings on the previous fasteners fit into the groove on the side of the board. Make sure the side gap between the boards is 6 mm.

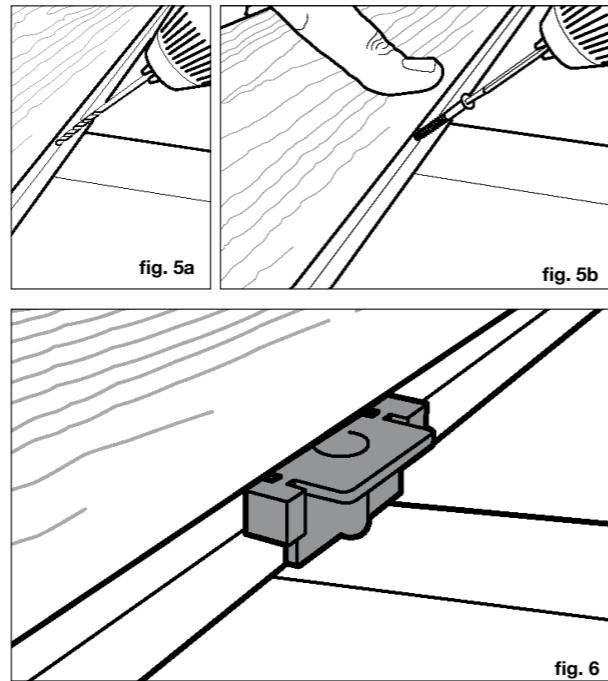
Step 5 To keep the interior boards from moving over time, the boards must be pinned at the centre of their length using a #8, 50 mm stainless steel screw. This holds the deck board in place at the centre of each board and allows the decking to expand/contract at the ends. Pre-drill in the groove of the deck board with a 3 mm drill bit (fig. 5a). Drive the screw into the groove so it's flush with the bottom of the groove (fig. 5b). This will allow you to fit a Stowaway hidden fastener into the groove properly.

Step 6 Install a Stowaway hidden fastener clip over the screw and centred over the joist. Fasten using pre-set screw at a 90° angle through the Stowaway hidden fastener and drive flush with the Stowaway hidden fastener and drive flush with the clip (fig. 6). The fastener wings must remain level with the joist for the next board to fit correctly (fig. 4).

Step 7 Install one Stowaway fastener at each joist location along the length of the board. For installations where deck boards are butted end-to-end at the joist, this must be double-jointed.

Step 8 Repeat the process for each board until the outside edge of the final board is fastened with screws. Use fascia to conceal the board profile and inhibit board movement over time. Please refer to the fascia installation instructions for the approved fastening methods for fascia boards.

Step 9 If no fascia is being used, the entire perimeter of the deck should be fastened to the rim joist with screws. Use two screws per joist on the perimeter board. These screws will be inconspicuous once the railing is installed. Decking should be fastened with screws when being used as deck steps.



Preventing Mould and Mildew Growth

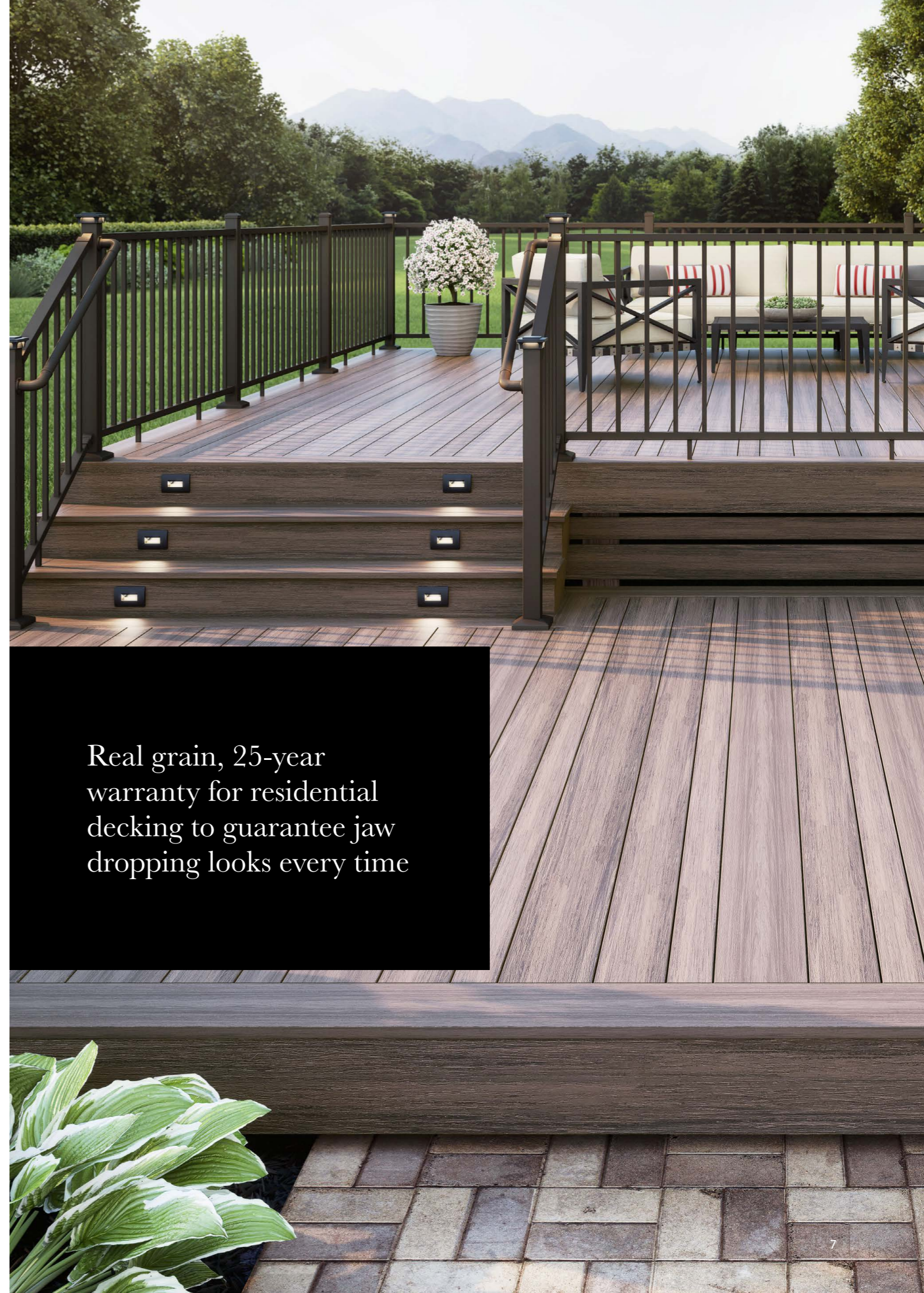
Mould and mildew can be a nuisance on any exterior building surface, regardless of the material. If the conditions are right, they will grow on wood, plastic, concrete, metal, and other surfaces. Mould formation is most prevalent in consistently wet, shaded areas. Spores from the natural environment are carried by the wind and commonly land on deck surfaces. It is important to note that the appearance of mould/mildew is a function of nature, not necessarily a deficiency with any of the material on which it grows.

Cleaning

Periodic washing with soap/detergent and water will help remove surface dirt. This will also help prevent the build-up of pollen, debris and spores that can cause and accelerate mould/mildew growth.

CAUTION: A pressure washer must not be used to "blast" mould/mildew or soils from a deck surface. The abrasive nature of the water stream can potentially damage the material by driving the spores into the material, which may create a more challenging problem to remediate. A pressure washer with a fan-tipped nozzle must only be used to lightly wet or rinse wood or composite deck surfaces. There are many deck wash and exterior cleaning products available at retail stores. Only use cleaners intended for your application.

Instructions provided by the manufacturer must be followed. Some cleaning products and inhibitors may be more effective than others, depending on the environmental conditions your deck is subjected to. Additionally, it is always a good idea to test the cleaner in a small, inconspicuous area prior to applying it to the entire deck.



Real grain, 25-year
warranty for residential
decking to guarantee jaw
dropping looks every time



Stunning style backed up by a comprehensive warranty. Guaranteed.

Call STORM today on 01278 455326 for more information