



Deckorators[®] Decking Installation Guides

Solid Edge Decking



Create show-stopping outdoor spaces with the Deckorators® composite decking collection.



Important notices

The diagrams and instructions in this brochure are for illustration purposes only and are not meant to replace a licensed professional. Any construction or use of the product must be in accordance with all local zoning and/or building codes. The consumer assumes all risks and liability associated with the construction or use of this product.

The consumer or contractor should take all necessary steps to ensure the safety of everyone involved in the project, including, but not limited to, wearing the appropriate safety equipment. Except as contained in the written limited warranty, the warrantor does not provide any other warranty, either express or implied, and shall not be liable for any damages, including consequential damages.

Deckorators® is not suitable for structural use. It must not be used for primary load-bearing members such as posts, joists, beams, or stringers. The same common-sense precautions should be taken when handling Deckorators® as with wood or other building materials. Dust masks and eye protection devices are recommended to avoid possible irritation from sawdust and chips. Gloves will help protect hands. Hands should be washed after construction work.

Contact our team on 01278 455326 or email sales@stormbuildingproducts.com to receive more information or advice.

Solid Edge Decking Installation Instructions

Boards from multiple factory packages must be intermixed to ensure a satisfactory colour blend across the deck surface. Prior to construction, check with your local regulatory agency for special code requirements in your area.

Store on a flat surface and allow to acclimate to job site conditions prior to installation. For best results, follow these simple installation instructions, paying close attention to gapping, spacing and fastener requirements.

Tools and Items Needed

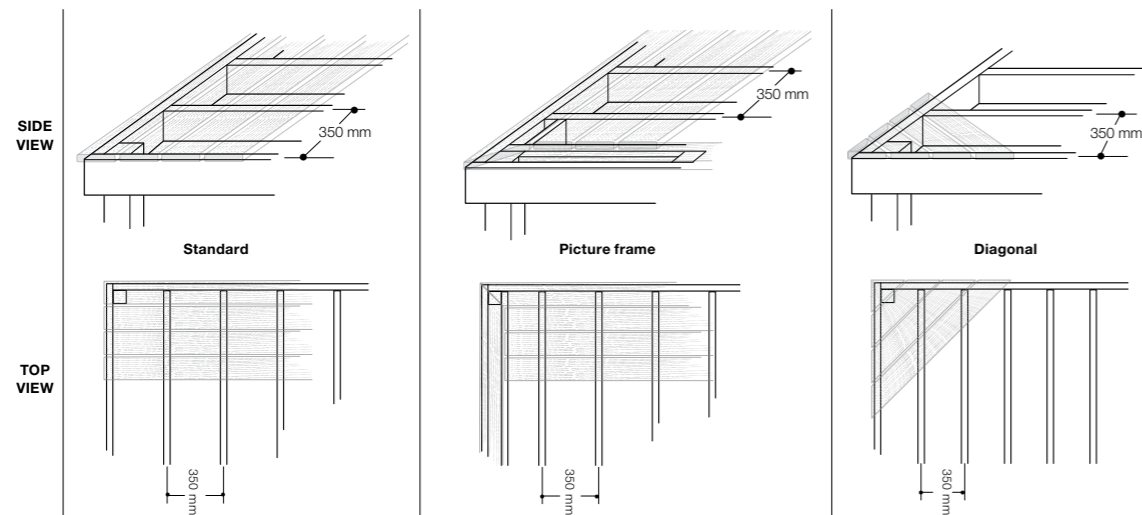
- Drill/Cordless screwdriver
- 3 mm drill bit
- TCT saw blade
- 63.5 mm composite wood deck screws
- Pro Plug® Hidden Fastening system
- Circular saw
- Tape measure
- Safety glasses/goggles
- Carpenter's pencil

Notice to installers

- Use impact driver with care

Joist Span

We recommend all fixing centres to be at a maximum of 350 mm.



End-to-End Spacing

Allow a minimum of 1.59 mm gap between board ends for every -6.67°C difference between installation temperature and the hottest temperature expected (fig. 1). Use two fasteners per deck board at each joist. For any decking where two boards meet end-to-end over a joist, double joisting must be used for proper board end support (fig. 2). Allow a 6 mm distance between all decking material and any permanent structure or post. Adequate ventilation is required at all times. Expansion gaps of 6mm are recommended on all WPC products (Vista and Trailhead).

NOTE: ONLY Deckorators® Voyage™, which is manufactured with Eovations™ technology, may be installed in contact with the ground or incidental submersion in water when a project design requires those conditions. Pre-drill and countersink all deck screws, regardless of the type of location.

Board-End to Board-End Gapping Requirements (mm)											
Temperature °C on day of installation	Warmest annual temperature °C expected in region										
	-6.67	-4.44	-1.11	10	15.56	21.11	26.67	32.22	37.78	43.33	48.89
-6.67	3.18	3.18	3.18	3.18	3.18	4.76	4.76	6.35	6.35	7.94	7.94
-4.44		3.18	3.18	3.18	3.18	4.76	4.76	6.35	6.35	7.94	7.94
-1.11			3.18	3.18	3.18	3.18	4.76	4.76	6.35	6.35	6.35
10				3.18	3.18	3.18	3.18	4.76	4.76	6.35	6.35
15.56					3.18	3.18	3.18	3.18	4.76	4.76	4.76
21.11						3.18	3.18	3.18	3.18	3.18	4.76
26.67							3.18	3.18	3.18	3.18	3.18
32.22								3.18	3.18	3.18	3.18
37.78									3.18	3.18	3.18
43.33										3.18	3.18
48.89											3.18

Note: Cut all board ends prior to installation recommended.

fig. 1

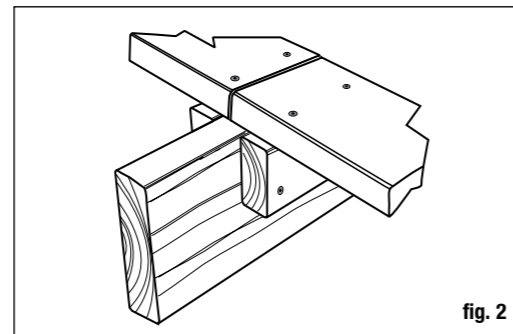


fig. 2

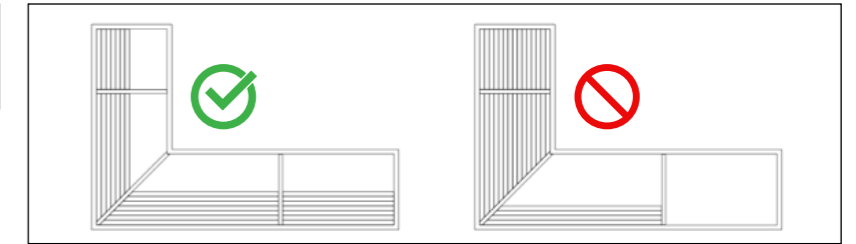
Solid Edge Decking Installation Instructions (Continued)

Cutting

- Use TCT saw blade

For Wood Plastic Composite Decking:

- Use fine tooth carbide trim blade to cut.
- Use a sharp utility knife or jigsaw to finish cuts where a circular saw cannot fully complete the cut. (Marking on the back side when needed.)
- Use a jigsaw to cut openings for protrusions.
- If necessary, use a large file or medium-grit sandpaper to clean cut edges.



To keep gaps lined up, you must build all sections of a split deck at the same time. This will allow you to adjust for natural variations in board width as you go. Snap 1 line to start the decking, then reference with a measurement every 2 or 3 rows off that original line.

(In the rare event that a strand or fibre protrudes from the board, do not pull it.) If you are using a painted blade, you can remove the paint residue with medium grit sandpaper.

Fasteners

For a list of recommended and compatible fasteners, please see separate compatible fasteners document. Recommended fasteners are those which are recommended by the manufacturer of Deckorators® decking. Compatible fasteners are those which have been tested and recommended for use with Deckorators® decking by the fastener manufacturer. Using a non-recommended fastener will not void the Deckorators® Decking Warranty; however, if using a non-recommended fastener causes a decking failure, any corresponding warranty claim will be invalid.

Surface Fastening:

We recommend using 50 mm corrosion-resistant composite wood deck screws for ease of installation. These screws help minimise the common "mushroom" effect that sometimes occurs when using standard deck fasteners. Always pre-drill a pilot hole and countersink prior to driving screws.

Hidden Fastening:

We recommend using Pro Plug screws with Pro Plugs for ease of installation. These screws help minimise the common "mushroom" effect that sometimes occurs when using standard fasteners. Always pre-drill a pilot hole prior to driving screws. Screws must be driven using the Pro Plug® Hidden Fastener tool to ensure the screws will be driven to the preset level below the deck surface.

Colour Variation

Like most composites, Deckorators® decking will have colour variations from piece to piece. This is due to naturally occurring variations in wood fibres and polymers. Purchasing all required decking material at one time is recommended, as manufacturing runs can produce slightly different colours. Mix boards from multiple units to blend colours. Do not install if the colour variation is not acceptable. Installing boards means you've accepted the colour and appearance of the planks.

Preventing Mould and Mildew Growth

Mould and mildew can be a nuisance on any exterior building surface, regardless of the material. If the conditions are right, they will grow on wood, plastic, concrete, metal, and other surfaces. Mould formation is most prevalent in consistently wet, shaded areas. Spores from the natural environment are carried by the wind and commonly land on deck surfaces. It is important to note that the appearance of mould/mildew is a function of nature, not necessarily a deficiency with any of the material on which it grows.

Cleaning

Periodic washing with soap/mild detergent and water will help remove surface dirt. This will also help prevent the buildup of pollen, debris and spores that can cause and accelerate mould/mildew growth. *Caution: A pressure washer must not be used to "blast" mould/mildew or soils from a deck surface. The abrasive nature of the water stream can potentially cause damage by driving the spores deeper into the material, which may create a more challenging problem to remedy. A pressure washer with a fan-tipped nozzle must only be used to lightly wet or rinse wood or composite deck surfaces.*

There are many deck wash and exterior cleaning products available at retail. It is important to make sure you use a cleaner specifically intended for your application. After selecting a product, be certain to read, understand and follow all instructions supplied by the manufacturer. Some cleaning products and inhibitors may be more effective than others, depending on the environmental conditions your deck is subjected to. Additionally, it is always a good idea to test the cleaner in a small, inconspicuous area prior to applying it to the entire deck.



Stunning style backed up by a comprehensive warranty. Guaranteed.

Call STORM today on 01278 455326 for more information